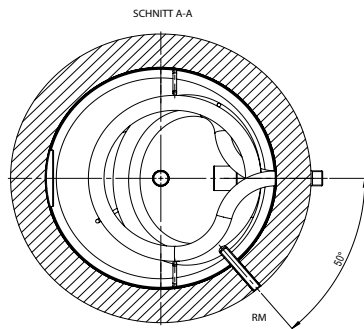
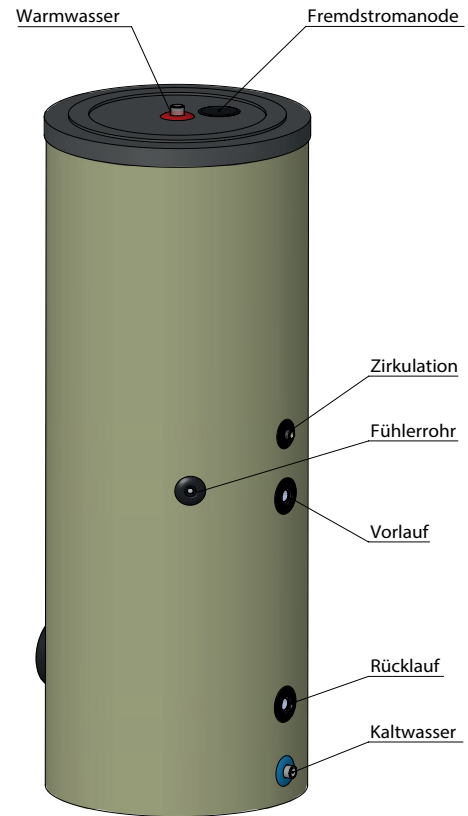
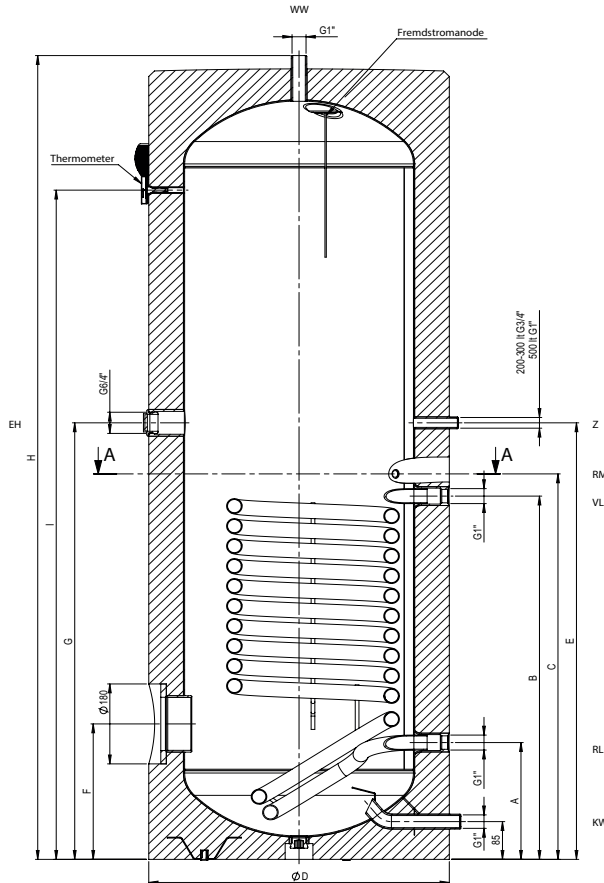


Technische Daten

Warmwasserspeicher

Type VL PREMIUM 501

Type VLA PREMIUM 201, 301



| Type | Abmessungen in mm | | | | | | | | | Kippmaß |
|-----------------|-------------------|-----|-----|-----|-----|------|-----|------|------|---------|
| | H | ØD | A | B | C | E | F | G | I | |
| VL 501 PREMIUM | 1838 | 750 | 370 | 930 | 980 | 1040 | 370 | 1095 | 1498 | 1982 |
| VLA 201 PREMIUM | 1353 | 650 | 263 | 638 | 688 | 870 | 305 | 695 | 1050 | 1485 |
| VLA 301 PREMIUM | 1810 | 650 | 263 | 818 | 868 | 983 | 305 | 983 | 1507 | 1905 |

| Type | Einbautiefe | | Registerfläche m ² | Gewicht kg | Energieeffizienzklasse | Warmhalteverlust in Watt | Speicherinhalt in Liter |
|-----------------|-------------|---------|-------------------------------|------------|------------------------|--------------------------|-------------------------|
| | Muffe | Flansch | | | | | |
| VL 501 PREMIUM | 670 | 580 | 2,0 | 168 | B | 79 | 500 |
| VLA 201 PREMIUM | 520 | 450 | 1,0 | 93 | A | 40 | 200 |
| VLA 301 PREMIUM | 520 | 450 | 1,5 | 122 | A | 49 | 300 |